

Valves / Ball Valves / Ball Valves - General Purpose (Female-Male)

CONSTRUCTIVE PROPERTIES

	STANDARD	OPTIONAL
Case	Brass Nickel Coated	-
Ball	Brass Chrome Plated	-
Handle	Steel	-
Ball Seats	PTFE (Teflon)	-
Transmission Shaft	Brass Nickel Coated	-

USAGE PROPERTIES

Conformity	TSE CEN / TS 13547	-
Max.Water Temp.	80 °C	-
Max.Pressure	25 bar	-

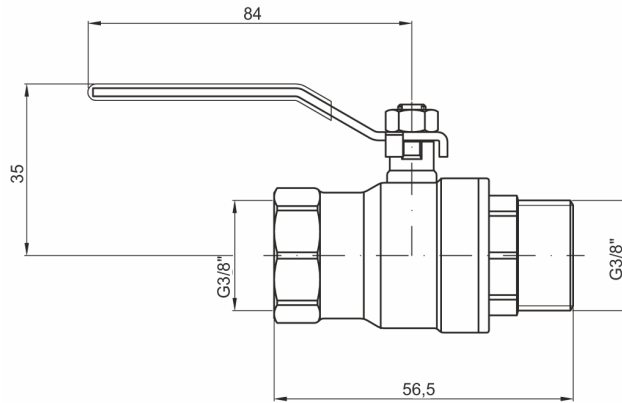


0924010100

Ball Valves - General Purpose (Female-Male)

www.Laheghi.com

Valves / Ball Valves / Ball Valves - General Purpose (Female-Male)



Model No: 0924010100

www.Laheghi.com

Ball Valves / General Purpose

▶ Ball Valves

Usage Temperature

-30°C + 80°C

Usage

F-M, Full Flow

Areas of Usage

Water, oil, inflammable gases, air and non-acidic liquids

Nominal Pressure

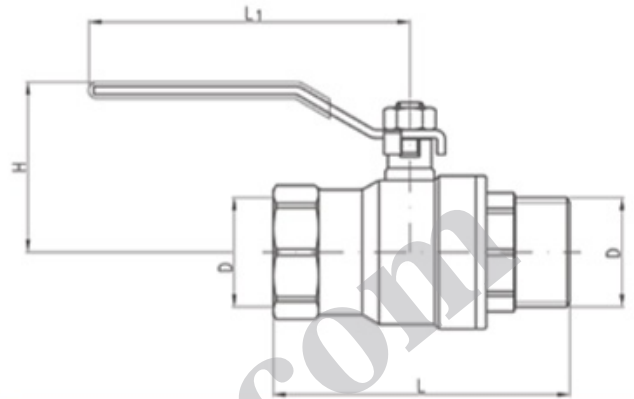
PN25

Connection Sizes

DIN ISO 228/1

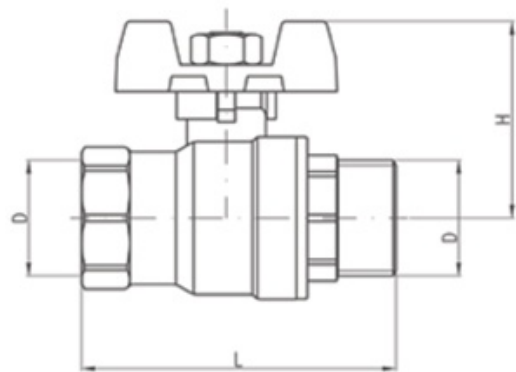
Optional

NPT, BSPT



Connection Sizes

Code #	D.	L.	L1	H	Kg.
0924010100	G 3/8"	56,5	84	35	0,146
0927010100	G 1/2"	64,5	97	44	0,197
0930010100	G 3/4"	72	97	46,5	0,286
0933010100	G 1"	86	117	52	0,520
0936010100	G1 1/4"	101,5	117	57	0,970



Connection Sizes

Code #		D	L	H	Kg
Red	Blue				
0924011100	0924011200	G 3/8"	56,5	37	0,133
0927011100	0927011200	G 1/2"	64,5	41	0,170
0930011100	0930011200	G 3/4"	72	44	0,258
0933011100	0933011200	G 1"	86	52,5	0,480
0936011100	0936011200	G1 1/4"	101,5	58	0,930